



Choice Bagging Equipment, LTD.

Bag Packaging Solutions to Fill Every Need

900 Series Horizontal Impeller Valve Bag Filler

Unit Description:

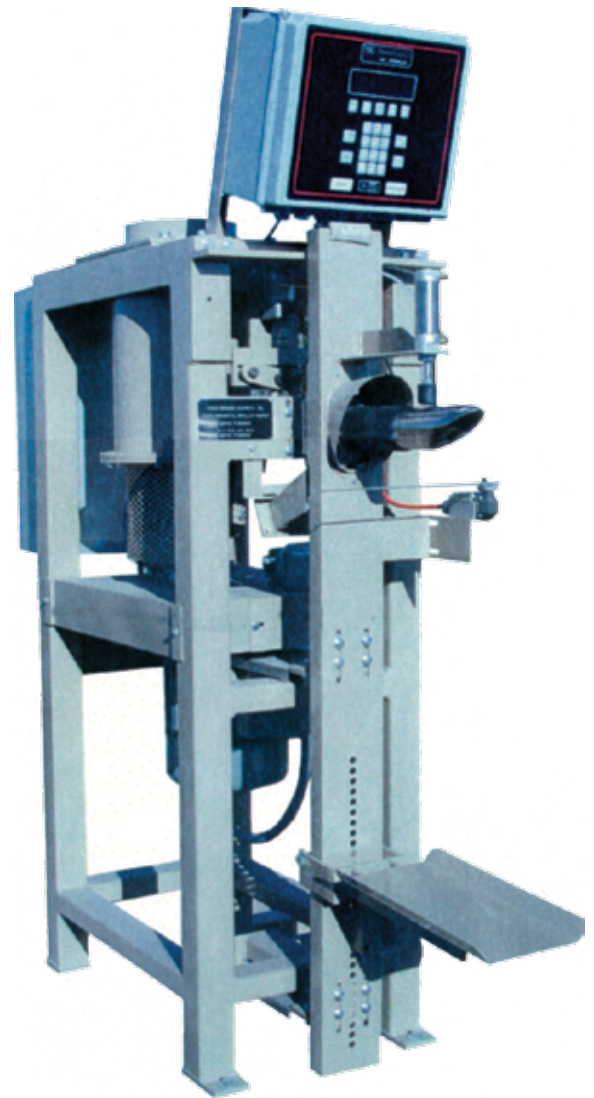
Gravity Style Valve Bag Filler for Packaging 20-110# (9-50KG) Bags with Free Flowing Granular & Pelleted Materials at a Rate of 1-3 Bags per Minute.

Examples of Proper Application Include:

- Light Weight Cement Mixes (Vermiculite, Polystyrene), Kaolin Clay, Silica
- Graphite, Carbon Black, Organic Pigments
- Oat & Rice Hull Ash

Technical Specifications:

- Proper Application – Low Bulk Density Powders
- Weight Range – 20-110 lb. (9-50KG) Valve Bags
- Fill Rate – 1-12 Bags Per Minute (Depending on Product Characteristics & Bag Sizing)
- Typical Scale Weight Accuracy – +/- .5-1% of Target Weight (Depending on Product Characteristics, Bag Sizing and Options Selected)
- Control Air – 80 PSI Required @ 1 CFM Per Bag Fill Cycle
- Electrical – 220/440 Volt / 3 Ph / 60 Cycle (Step Down Transformer for 110V Control Voltage Included)
- Dust Collection – 400 CFM Minimum (Base Model Does Not Include Dust Collection)



Principle Of Operation:

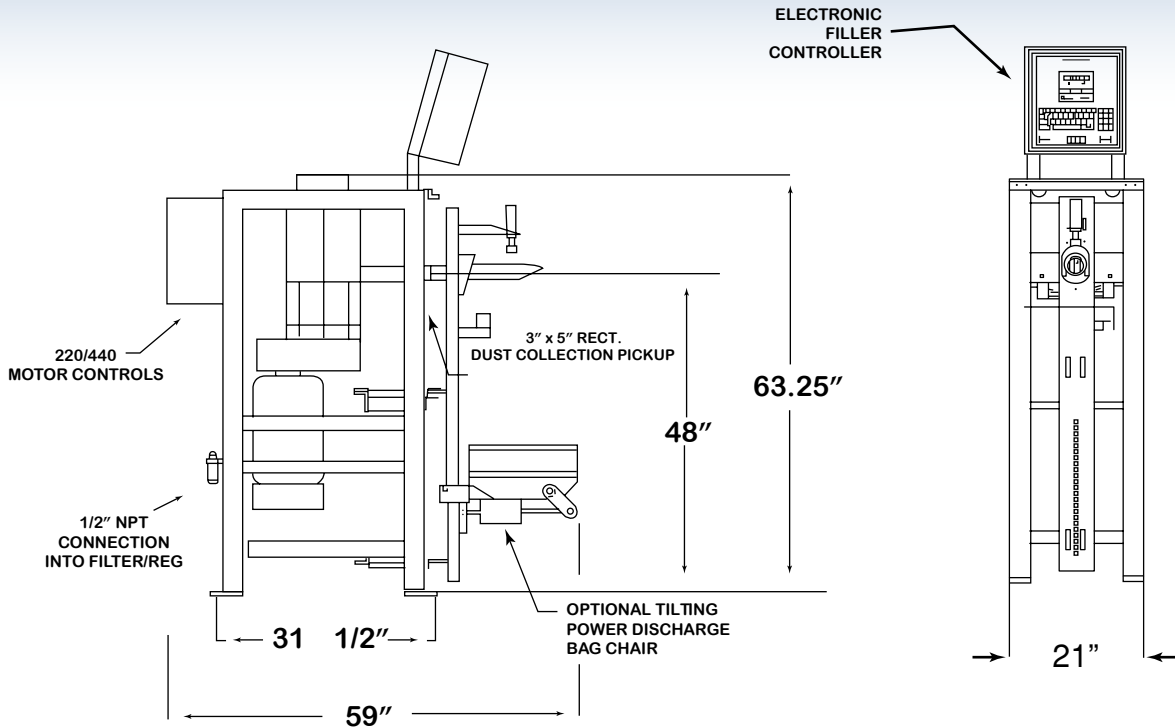
The 900 series impeller packer has a specially designed horizontal 4-blade feed impeller powered by a vertical drive shaft. Product flows by gravity from the supply hopper into the product feed inlet at the top of the machine. When a fill cycle is initiated, the horizontal impeller creates a positive draw on the product moving it through the feeder and into the bag. The Model 900 is an automatic electronic scale gross weighing filler that simultaneously fills and weighs product directly into the bag.

Clean Operation:

The 900 series horizontal impeller packer has a totally enclosed product flow path from the supply hopper all the way into the bag. It can also be equipped with our 112-100 dust collection manifold which can be ducted to your plants dust suppression system. Together with our optional 111 Tube Cleanout, 117 Expanding Bag Seal Assemblies and a filling spout arrangement that is appropriately designed for your application, the 900 is the cleanest filling horizontal style impeller available on the market.

Visit www.findtherightbagger.com or call 512.352.3694 for more info!

900 Series Horizontal Impeller Valve Bag Filler



STANDARD FEATURES

- Mild Steel Contacting Surfaces
- Digital Scale Weighing
- Scale Isolator Assembly
- 3" X 3" Tubular Steel Framework
- 4-Blade Impeller
- 7.5 HP Belt Drive Assembly
- Manual Start/Stop Push Buttons
- Air Operated Bag Clamp & Pinch Tube
- Material Cutoff
- Adjustable Bag Rest
- 1.5" -2.75" Single Wall Fill Spout (Sized per Customer Requirements)
- Replaceable Wear Liners

STANDARD OPTIONS

- 106-300 – Air Actuated Powered Tilt Bag Rest
- 103-300 – Bulk & Dribble (Two-Stage) Cutoff (Must Be Used w/ Option 104-002)
- 111-100 – Tube Cleanout Assembly (Must Be Used w/ Option 104-002)
- 112-100 – Dust Collection Pickup Manifold
- 115-100 – Auto Start Assembly
- 117-000 – Timed Bag Seal Circuit
- 920-000 – 304 S/S Material Contacting Surfaces HF Hard Faced Impeller

Good, Better, Best, Choice.

Visit www.findtherightbagger.com or call 512.352.3694 for more info!