



# Choice Bagging Equipment, LTD.

*Bag Packaging Solutions to Fill Every Need*

## GWB-BF Belt Fed Gross Weigher

### Unit Description:

The Model GWB-BF is a Modular Belt Fed Gross Weigher is Designed to Non-Free Flowing Powders, Granules & Flaky Materials into Paper and Plastic Open Mouth Bags at Rates of Up to 9 Bags / Minute.

### Examples of Proper Application Include:

- Cake Mix, Molasses Based Animal Feeds
- Soils, Damp Sand, Gravel

### Technical Specifications:

- Proper Application— Non-Free Flowing Powders, Granules & Flaky Materials
- Weight Range—20-110 lb. (9-50KG) Open Mouth Bags
- Fill Rate— 1-9 Bags Per Minute (Depending on Product Characteristics)
- Typical Scale Weight Accuracy— $\pm$  .5-1% of Target Weight
- Control Air—80 PSI Required @ 3 CFM
- Electrical—220/440 Volt / 3 Ph / 60 Cycle
- Dust Collection—250 CFM

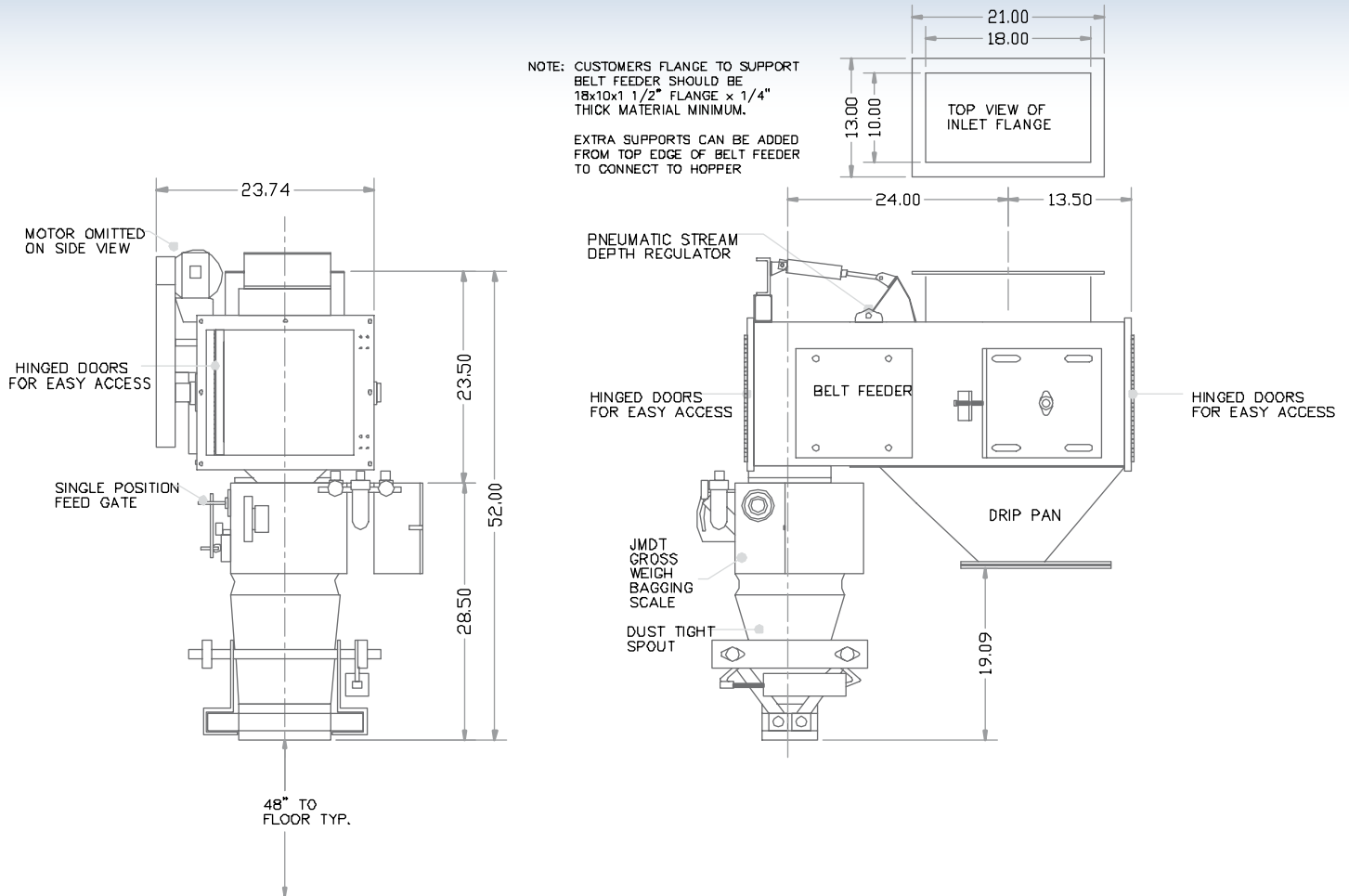


### Principle Of Operation:

The Product Flows by Gravity from the Supply Hopper Bin Into the Product Feed Inlet at the Top of the Machine. When a Fill Cycle is Initiated, the Product is Conveyed Through a Specially Designed Belt Feeder that Conditions and Delivers it in an Even and Consistent Flow to the Weighing Scale. The Bag is Simultaneously Filled and Weighed into the Bag as it is Transferred from the Belt Feeder to the Bag. When the Target Weight is Reached, the Belt Feeder will Stop and a Cutoff Gate within the Machine will Close Simultaneously, and the Air Operated Bag Clamps will Automatically Release the Bag from the Scale. In Applications Where the Product is Extremely Difficult to Handle, the Gravity Gate is Removed Completely and the Material Free Falls from the End of the Belt Directly into the Bag.

Visit [www.findtherightbagger.com](http://www.findtherightbagger.com) or call 512.352.3694 for more info!

# GWB-BF Belt Fed Gross Weigher



## STANDARD FEATURES

- Mild Steel Contacting Surfaces
- Digital Load Cell Weighing Scale
- Air Operated Bag Filling Attachment (Sized per Customer Requirement)
- Foot Pedal Start Actuator
- Emergency Stop Palm Button
- Air Operated Material Flow Cutoff Gate
- Belt Feeder (14") with Variable Speed Controls (M/S)
- NEMA 12 Electrical Enclosures
- Powder Coated Fabricated Components (CBE Almond)
- One (1) Year Limited Warranty

## STANDARD OPTIONS

- -2 Bulk & Dribble (Two-Stage) Gravity Gate Material Flow Cutoff
- -DT Dust Tight Bag Filling Spout (for Dusty Materials)
- -S 304 S/S Material Contacting Surfaces
- -AS 304 S/S Construction (for Corrosive & Sanitary Applications)