



# Choice Bagging Equipment, LTD.

*Bag Packaging Solutions to Fill Every Need*

## GWB Series Gravity Open Mouth Bag Filler

### Unit Description:

Gravity Style Open Mouth Bag Filler for Packaging 20-110# (9-50KG) Bags with Free Flowing Granular & Pelleted Materials at a Rate of 1-10 Bags per Minute.

### Examples of Proper Application Include:

- Fertilizer, Corn, Soybeans, Salt, Sugar
- Sand, Limestone, Refractory Materials, Plastic Pellets

### Technical Specifications:

- Proper Application – Free Flowing Granular Products
- Weight Range – 20-110 lb. (9-50KG) Open Mouth Bags
- Fill Rate – 1-10 Bags per Minute (Depending on Product Characteristics & Bag Sizing)
- Typical Scale Weight Accuracy – +/- .5-1% of Target Weight
- Process Air – 80 PSI @ 1 CFM per Bag Fill Cycle (Base Model Does not Require Air)



### Principle Of Operation:

The GWB Series gravity open mouth filler has a specially designed product flow gate powered by gravity. Product flows by gravity from the supply hopper bin into the product feed inlet at the top of the machine. When a fill cycle is initiated, the product flows through the gravity gate into a funnel spout and into the bag. No air or electricity is required for basic operation. The GWB Series is an automatic gross weighing filler that simultaneously fills and weighs product directly into the bag.

Visit [www.findtherightbagger.com](http://www.findtherightbagger.com) or call 512.352.3694 for more info!

# GWB Series Gravity Open Mouth Bag Filler

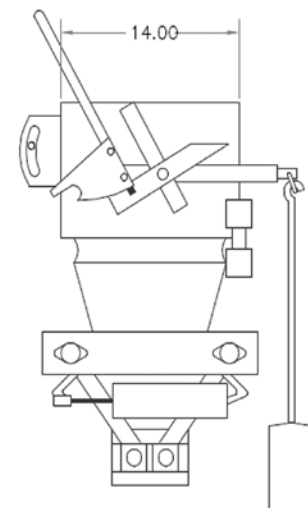
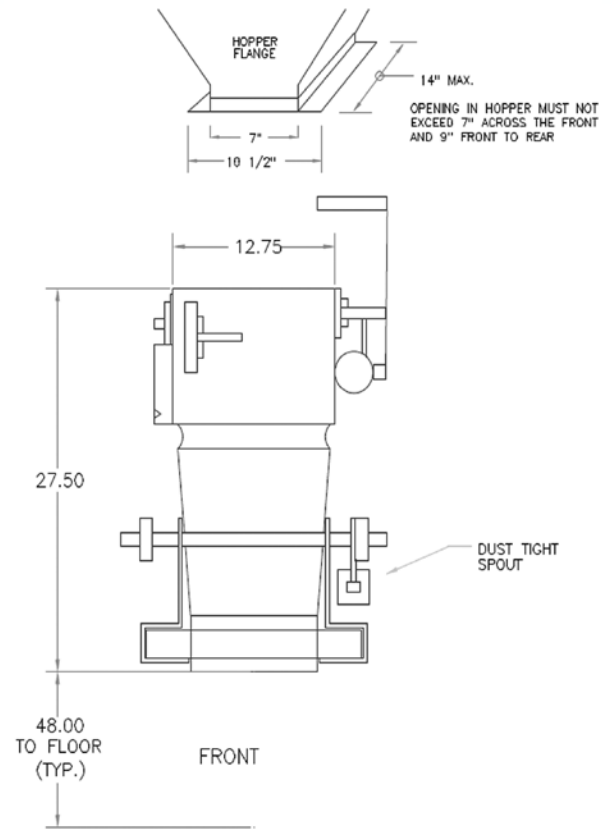
## STANDARD FEATURES

- Mild Steel Contacting Surfaces
- Digital Scale Weighing
- Bin Mounted Design
- Foot Pedal Start Actuator
- Air Operated Gate Style Material Cutoff
- Variable Flow Gate
- Air Operated Bag Clamp
- 17" -32" Circumference Fill Spout (Sized per Customer Requirements)

## STANDARD OPTIONS

- -2 Bulk & Dribble (Two-Stage) Gravity Gate Material Flow Cutoff
- -DT Dust Tight Bag Filling Spout (for Dusty Materials)
- -S 304 S/S Material Contacting Surfaces
- -AS 304 S/S Construction (for Corrosive & Sanitary Applications)

**Note: Mechanical Scale Weighing Units are available for quote upon request.**



**Good, Better, Best, Choice.**

Visit [www.findtherightbagger.com](http://www.findtherightbagger.com) or call 512.352.3694 for more info!